



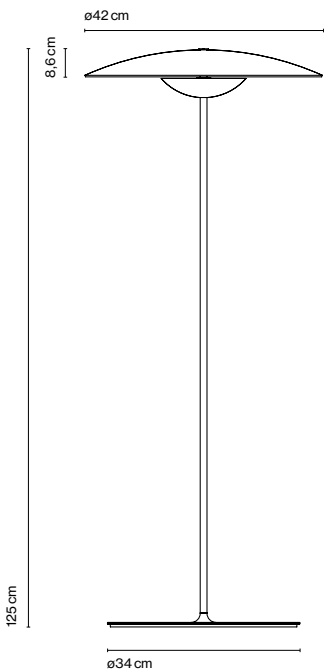
# Ginger

## Joan Gaspar

**marset**



**Ginger P**



**Ginger P**

Light source:  
LED SMD 700mA 16,28W  
2700K CRI90 1873lm

Luminaire:  
85 - 264 VAC 17W 698lm

LED included

- Oak
- Wenge

Black electrical cord

Diffuser and pressed wood base of 4 mm in natural oak or wenge. Injected aluminium dissipater and lacquered black matte metal stem.

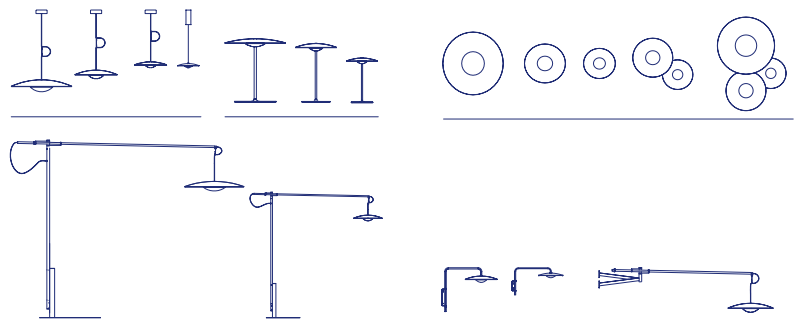
dimmer \*

\* In-line motion sensor dimmer



- [Download](#) Assembly Instructions
- [Download](#) Photometric Data
- [Download](#) 2D
- [Download](#) 3D
- [Download](#) Energy label

**Range**



**Watch the video**  
info@marset.com  
www.marset.com

Wood is a great ally of cozy lighting. It is a material that is hard to mold, a challenge that the Ginger collection neatly resolves. The combination of sheets of wood and paper pressed together under high pressure achieves a laminate that appears almost entirely flat.

## How Ginger illuminates

### Ginger P

